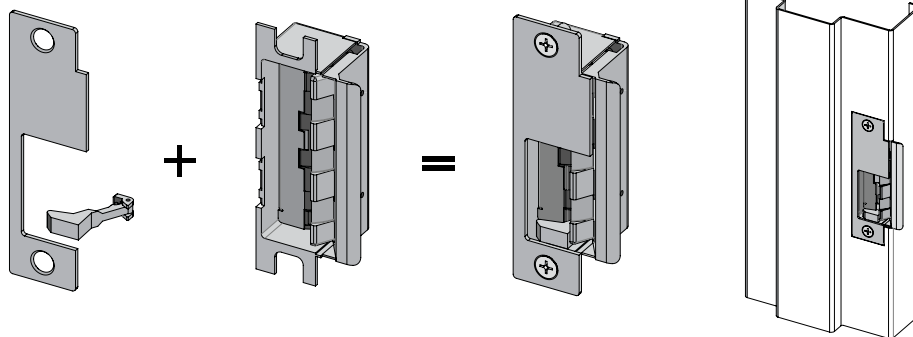


# 8500

Series electric strike



shown with 852M option



fire rated



UL 1034  
burglary listed



field selectable  
(fail secure / fail safe)



field selectable  
(12 or 24VDC)



grade 1

## The concealed electric strike solution for mortise locksets

Introducing the HES 8500 series, the first concealed electric strike solution for mortise locksets. Designed for fast, convenient installation, the 8500 fits into low profile openings with no modification to the face of the frame. Best of all, the creative design of the HES 8500 helps manage some the unique challenges of a mortise lock installation. We invite you to take a moment to get to know the newest member of the HES concealed strike family.

### Specifications

- UL 10C-fire-rated, 3 hr single-door fire
- CAN4-S104(ULC-S104) fire door conformant
- NFPA 80-07 Compliant
- UL 1034 burglary-resistant listed
- ANSI/BHMA A156.31, Grade 1
- NFPA -252 fire door conformant
- ASTM-E152 fire door conformant
- UBC-7-2-94, Uniform Building Code
- Patents Pending

### Frame Application

- Metal
- Wood

### Electrical

- .24 Amps @ 12VDC/VAC
- .12 Amps @ 24VDC/VAC
- DC continuous duty/AC intermittent duty only

8500 series

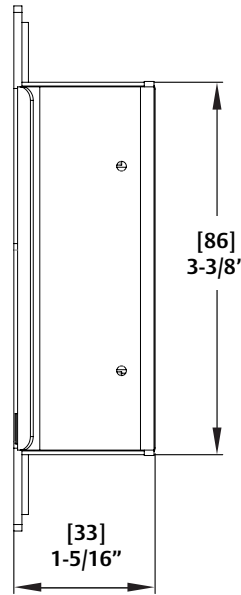
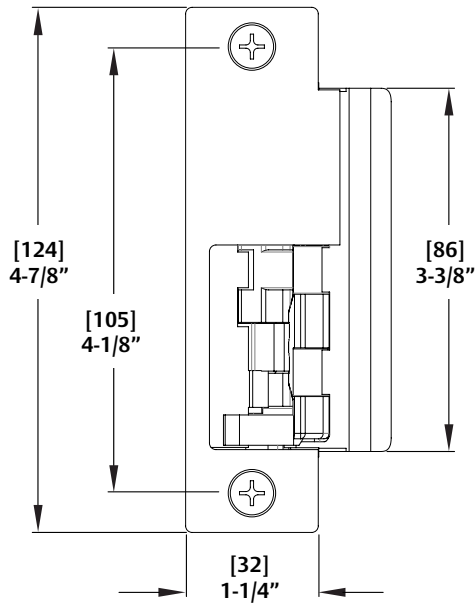
mortise locks  
without deadbolts



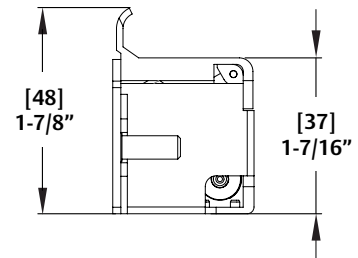
# 8500

Series electric strike

hes  
ASSA ABLOY



Removal of the dustbox required for use with ANSI/BHMA A156.115 prep



8500 series

## Standard Features

- No cutting of the face of the frame
- Stainless steel construction
- Tamper resistant
- Static strength 1,500 lbs
- Dynamic strength 70 ft-lbs
- Endurance 500,000 cycles
- Field selectable fail safe / fail secure
- Dual voltage 12 or 24 VDC/VAC Continuous Duty
- Non-handed
- Metal or Wood Frame
- Internally mounted solenoid
- Accommodates 3/4" Mortise Latchbolts
- Strike body depth 1-5/16"
- Plug-in connector
- Full pocket shims for horizontal adjustment
- Five year limited warranty

## Optional Features

- LBM - Latchbolt Monitor
- LBSM-Latchbolt Strike Monitor
- 4 faceplate options
- Three deadlatch platforms to work with all major mortise locksets

## Accessories

- 2001M- Plug-in bridge rectifier
- 2004M - ElectroLynx® adapter
- 2005M3 - SMART Pac III™
- 2006M - Plug-in buzzer

## Faceplate Finishes

- 630 - Satin stainless steel finish
- 605 - Bright brass finish
- 606 - Satin brass finish
- 612 - Satin bronze finish
- 613 - Bronze toned finish
- 629 - Bright stainless steel finish

# 8500

Series electric strike



## Faceplate Option Kits :

The 8500 faceplate options kits combine two different faceplate pocket styles with three different deadlatch profiles for compatibility with a wide variety of mortise locksets. HES 8500 faceplate option kits are lock specific. There are two faceplates included in each kit: a standard faceplate and a faceplate with a wider pocket to address less-than-ideal sagging door conditions.

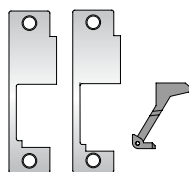


### 851M Option

Operation: After release, the keeper returns to the locked position.

#### 851M For use with:

Compatible with mortise locksets: Sargent 8100, 8200, 9200  
ANSI/BHMA Numbers: #E05031, #E09321, #E09322, #E09323



4-7/8" x 1-1/4"

type of lock released

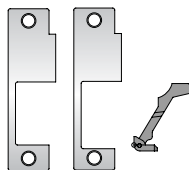


### 852K Option

Operation: After release, the keeper returns to the locked position.

#### 852K For use with:

Compatible with mortise locksets: Corbin Russwin ML 2000  
ANSI/BHMA Numbers: #E05031, #E09321, #E09322, #E09323



4-7/8" x 1-1/4"  
radius corners  
& flat faceplate

type of lock released

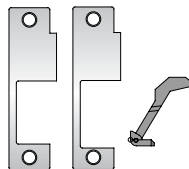


### 852L Option

Operation: After release, the keeper returns to the locked position.

#### 852L For use with:

Compatible with mortise locksets: Schlage L9000  
ANSI/BHMA Numbers: #E05031, #E09321, #E09322, #E09323.



4-7/8" x 1-1/4"

type of lock released

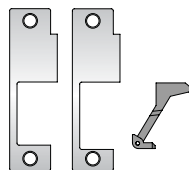


### 852M Option

Operation: After release, the keeper returns to the locked position.

#### 852M For use with:

Compatible with mortise locksets: Yale 8700 & 8800, Accurate, Falcon, Kaba Ilco/  
Unican  
ANSI/BHMA Numbers: #E05031, #E09321, #E09322, #E09323.



4-7/8" x 1-1/4"

type of lock released





# 8500

Series electric strike



## GET TO KNOW THE NEW HES 8500

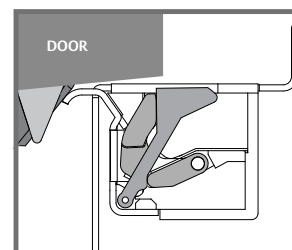
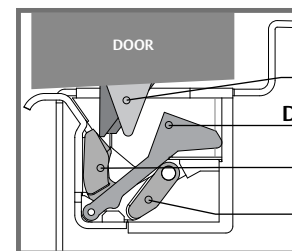
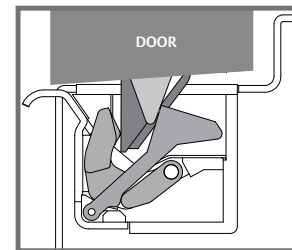
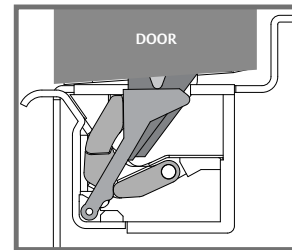
The HES 8500 concealed electric strike for mortise locksets builds on the tradition of ground-breaking design you've come to know in the 8000 series concealed electric strike family. It has a unique design unlike any electric strike on the market today. For correct installation and operation, it's important to understand the extraordinary design and distinctive features of the 8500.

When the door is closed, the mortise latchbolt is held secure by the 8500's keeper. The 8500 has a deadlatch bracket to guard the latchbolt. The deadlatch is held in its locked state by an insert we call a 'deadlatch platform'. The deadlatch platform can be placed into one of three locations in the strike as appropriate for the type of mortise lockset.

When the electric strike is energized, the keeper begins to rotate and the deadlatch platform falls away, allowing the deadlatch to drop and the latchbolt to become unguarded.

As the door moves forward, the latchbolt slides first along the keeper and then up the internal ramp.

As the door continues along its arc away from the frame, the latchbolt and deadlatch exit the 8500, which quickly returns to its locked state.



8500 faceplates