



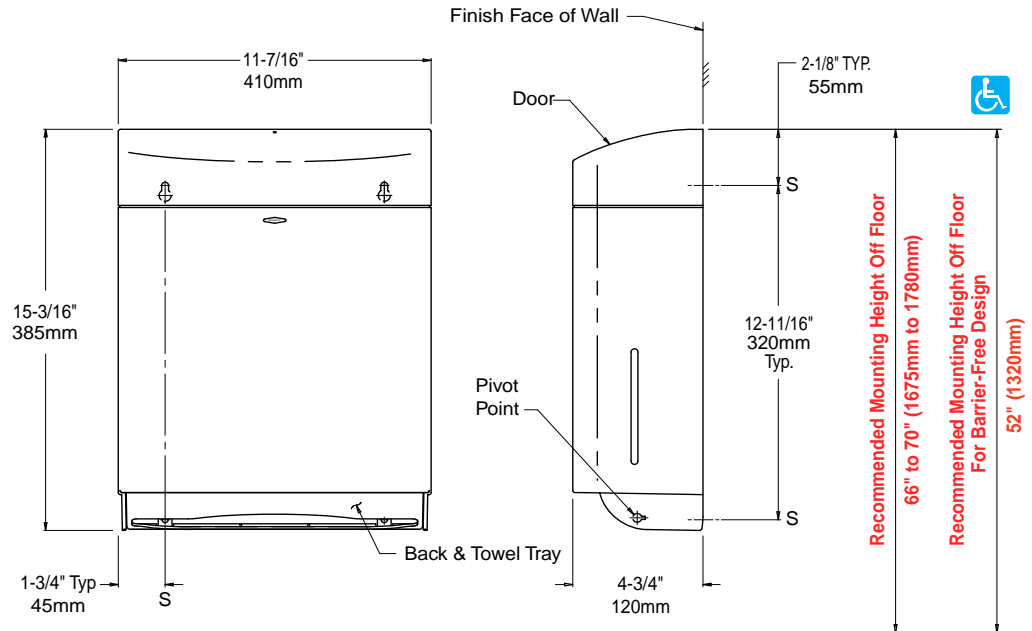
Technical Data

MatrixSeries™ SURFACE-MOUNTED PAPER TOWEL DISPENSER

B-5262



Patented



MATERIALS:

Mounting Plate and Towel Tray — Durable, high-impact grey ABS with high-gloss finish on exposed surfaces. Two-piece construction. Rounded towel tray has radius opening to dispense towels without tearing. Mounting plate is equipped with a concealed locking device to secure door; keyed like other Bobrick washroom accessories.

Door — Durable, high-impact grey ABS with high-gloss finish on exposed surfaces. Front of door has same degree of arc as other Bobrick MatrixSeries washroom accessories. Radius on corners, edges and top complement other MatrixSeries accessories. Secured to towel tray with keyed posts.

OPERATION:

Unit dispenses C-fold or multifold paper towels 3-1/8" to 3-13/16" (79–97mm) deep without adjustment or use of adapters. Slot in sides of cabinet indicate refill time. Capacity: 400 C-fold or 525 multifold paper towels. To dispense narrower towels 2-1/2" to 3-1/8" (64–79mm) deep, order Internal Towel Tray Adapter Kit, Bobrick Part No. 5262-25. After unlocking with key provided, door swings down for loading paper towels into unit. Retrofit Tumbler Lock Kit is available as an optional accessory; order Bobrick Part No. 5288-10.

INSTALLATION:

Mount unit on wall with four sheet-metal screws (not furnished) at points indicated by an S. For plaster or dry wall construction, provide concealed backing to comply with local building codes, then secure unit with sheet-metal screws. For other wall surfaces, provide fiber plugs or expansion shields for use with sheet-metal screws, or provide 1/8" (3mm) toggle bolts or expansion bolts.

SPECIFICATION:

Surface-mounted paper towel dispenser shall be durable, high-impact grey ABS with high-gloss finish on exposed surfaces. Front of door shall have same degree of arc as other Bobrick MatrixSeries™ accessories in the washroom. Radius on corners, edges and top of door shall complement other Bobrick MatrixSeries™ washroom accessories. Door shall be secured to towel tray with keyed posts and to mounting plate with a concealed locking device keyed like other Bobrick washroom accessories. Unit shall be capable of dispensing 400 C-fold or 525 multifold paper towels without adjustment or use of adapters. Manufacturer's service and parts manual shall be provided to the building owner/manager upon request.

Surface-Mounted Paper Towel Dispenser shall be Model B-5262 of Bobrick Washroom Equipment, Inc., Clifton Park, New York; Jackson, Tennessee; Los Angeles, California; Bobrick Washroom Equipment Company, Scarborough, Ontario; Bobrick Washroom Equipment Pty. Ltd., Australia; and Bobrick Washroom Equipment Limited, United Kingdom.